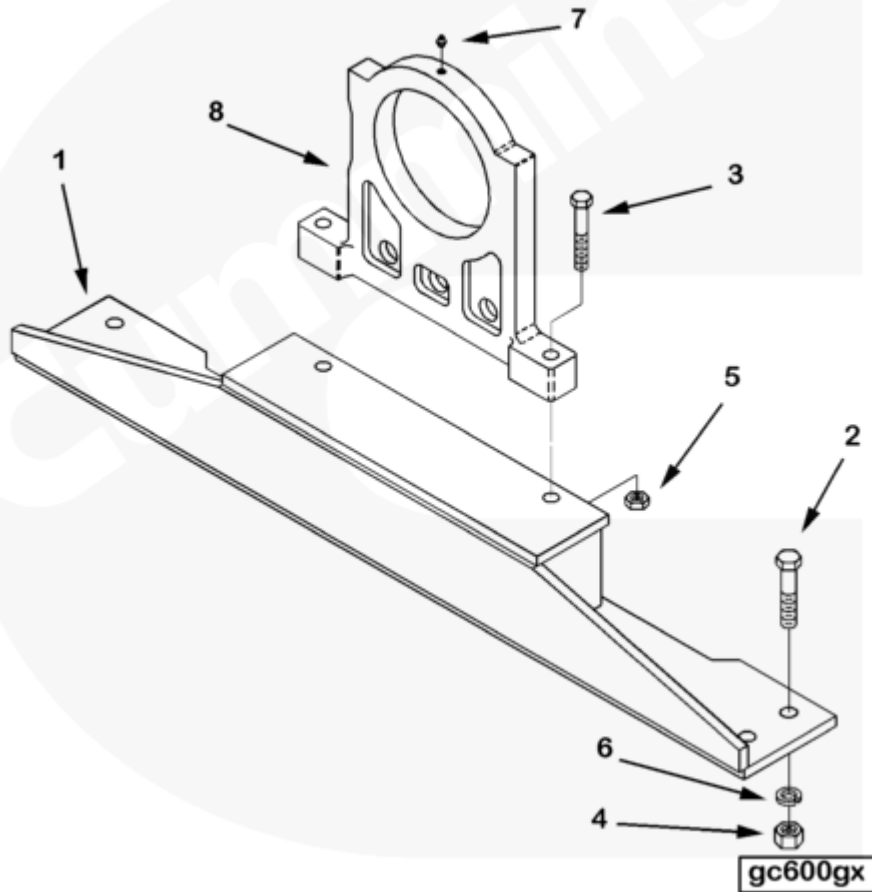




## Parts Catalog - Option Detail

Electronic Parts Catalog - Option Detail				
Option	Group	Graphic	Film Card	Date
EM6062-02	16.03	gc600gx	K38	22-SEP-06
<b>Engines</b>	GTA38, K38, KTA38GC CM558, QSK38 CM2150 K106, QSK38 CM2150 MCRS, QSK38 CM850 MCRS			

©Cummins Inc



SMALL | MEDIUM | LARGE

Cart	Ref No	Part Number	Part Description	Required	Remarks
<input type="button" value="View My Cart"/>					
		<a href="#">EM6062-02</a>	Front Engine Support		<a href="#">Trunnion type front engine...(More)</a>
					support with engine support
					bracket. For mounting on 48.5
					inch (1232MM) centers - 16.5

					inch (419MM) below crankshaft
					centerline. Two 5/8-11 unc
					jacking screws provided.
<input type="checkbox"/>	1	<a href="#">3058369</a>	Front Engine Support	1	
<input type="checkbox"/>	2	<a href="#">S 189</a>	Hexagon Head Cap Screw	2	3/4 - 10 X 3 3/4 in.
<input type="checkbox"/>	3	<a href="#">S 192 A</a>	Hexagon Head Cap Screw	2	5/8 - 11 X 4 in.
<input type="checkbox"/>	4	<a href="#">S 204</a>	Heavy Hexagon Nut	2	3/4 - 10 UNC
<input type="checkbox"/>	5	<a href="#">S 201</a>	Heavy Hexagon Nut	2	5/8 - 11 UNC.
<input type="checkbox"/>	6	<a href="#">S 611</a>	Lock Washer	2	3/4 in.
<input type="checkbox"/>	7	<a href="#">S 2268</a>	Grease Fitting	1	
<input type="checkbox"/>	8	<a href="#">3638146</a>	Front Engine Support	1	

© 2019 Cummins Inc., Box 3005, Columbus, IN 47202-3005 U.S.A.  
Terms of Use and Disclaimers | Recommended System Requirements  
Need Assistance? Please click on the Contact Us button in the top right corner of any page.